

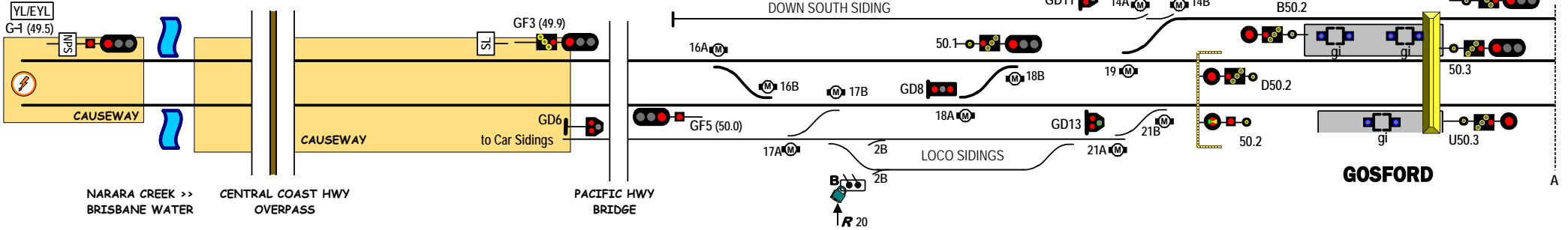
Y2308 ←

POINT CLARE

78.873

80.114

80.469



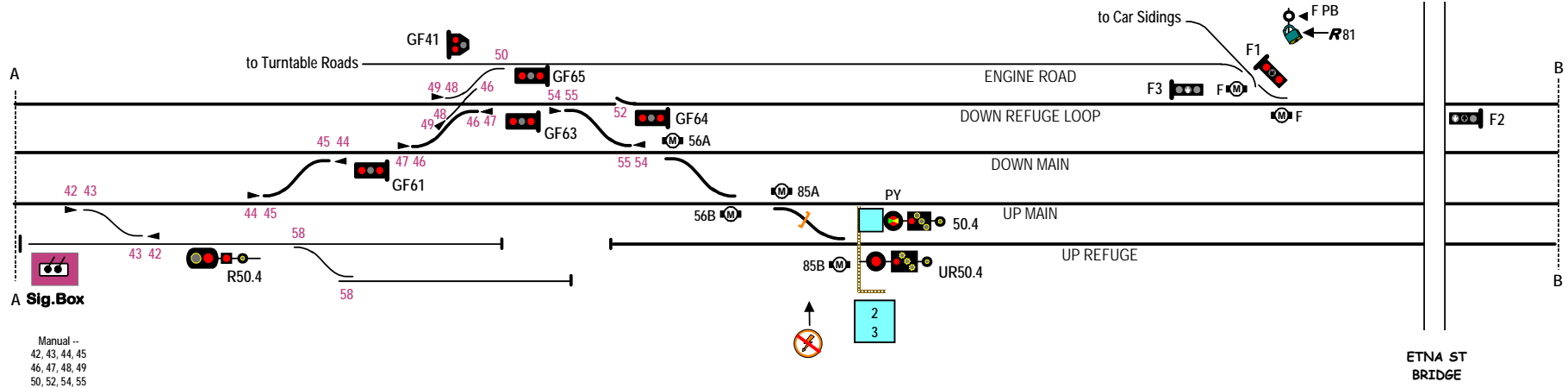
NARARA CREEK >> BRISBANE WATER

CENTRAL COAST HWY OVERPASS

PACIFIC HWY BRIDGE

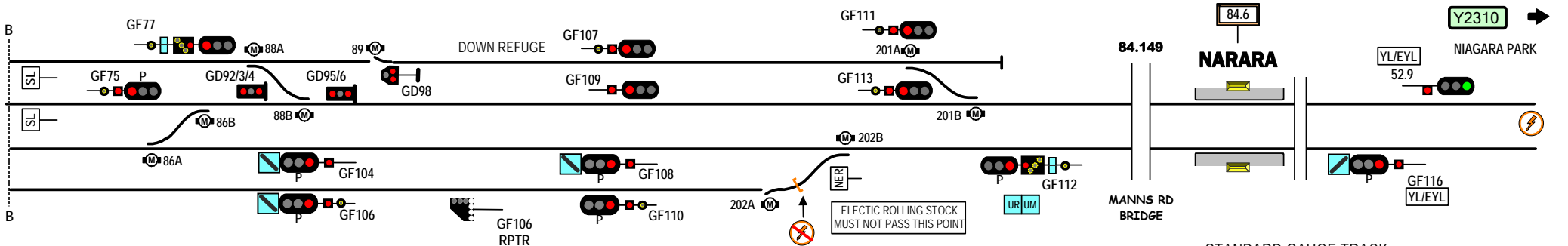
GOSFORD

81.467



Manual --  
 42, 43, 44, 45  
 46, 47, 48, 49  
 50, 52, 54, 55

ETNA ST BRIDGE



84.149

NARARA

Y2310 →

NIAGARA PARK

MANN'S RD BRIDGE

STANDARD GAUGE TRACK  
GOSFORD - NARARA

This drawing is provided to show RailCorp's Northern Sydney access (FLEMINGTON JCN- ISLINGTON JCN) to the ARTC NATIONAL FREIGHT ROUTE. Accordingly it only details the Main (Freight) tracks, and signals are only shown when they are on Main lines, or are protecting access to, or across them.

Tri Colour LED

Home Support

© 2011 G F Vincent

Y2309