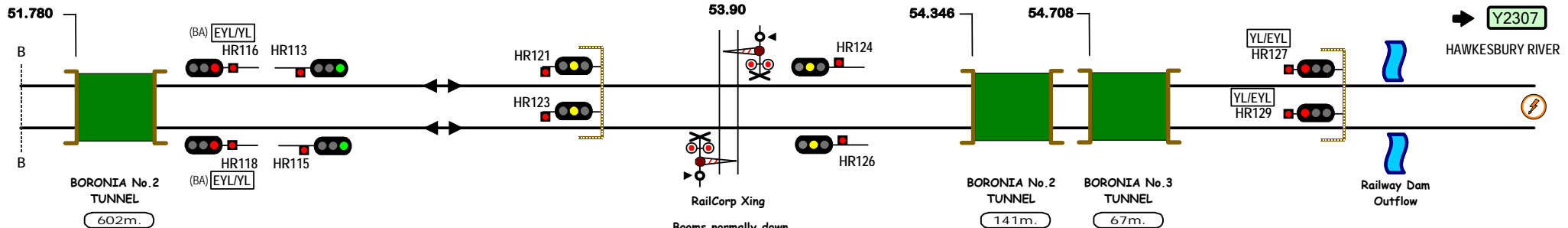
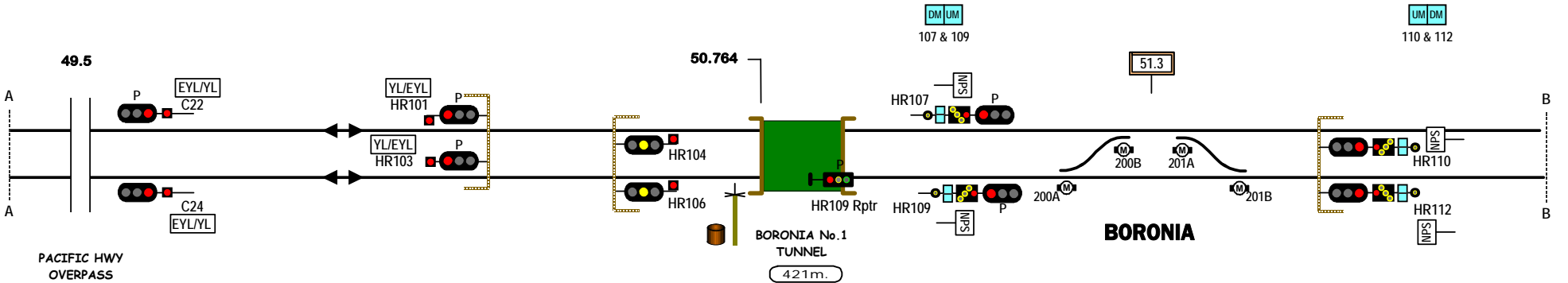
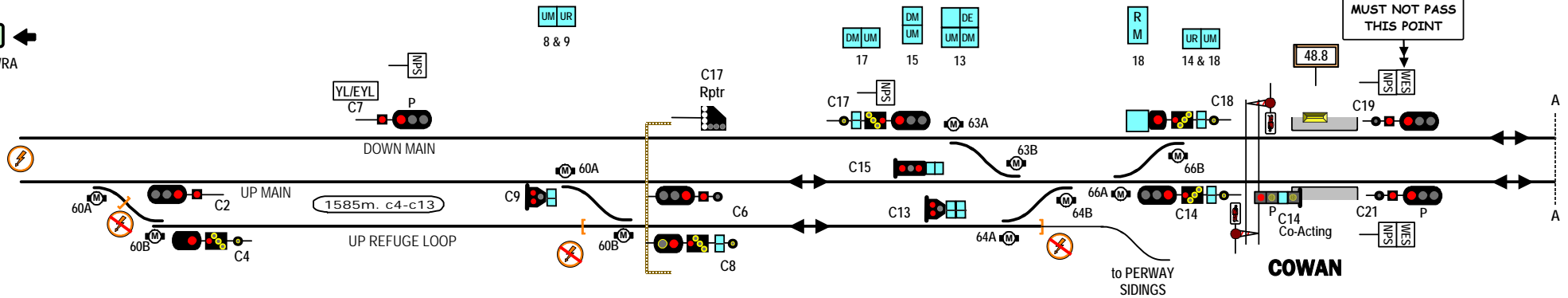


Y2305 ←
BEROWRA



This drawing is provided to show RailCorp's Northern Sydney access (FLEMINGTON JCN- ISLINGTON JCN) to the ARTC NATIONAL FREIGHT ROUTE. Accordingly it only details the Main (Freight) tracks, and signals are only shown when they are on Main lines, or are protecting access to, or across them.

Booms normally down. Press button to lift only when light out.

STANDARD GAUGE TRACK
COWAN - BORONIA