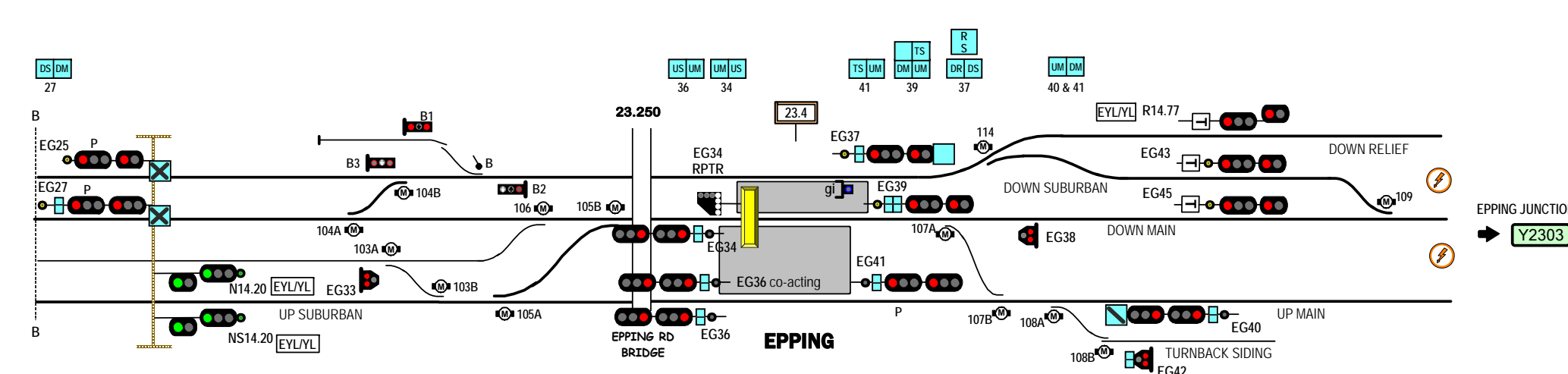
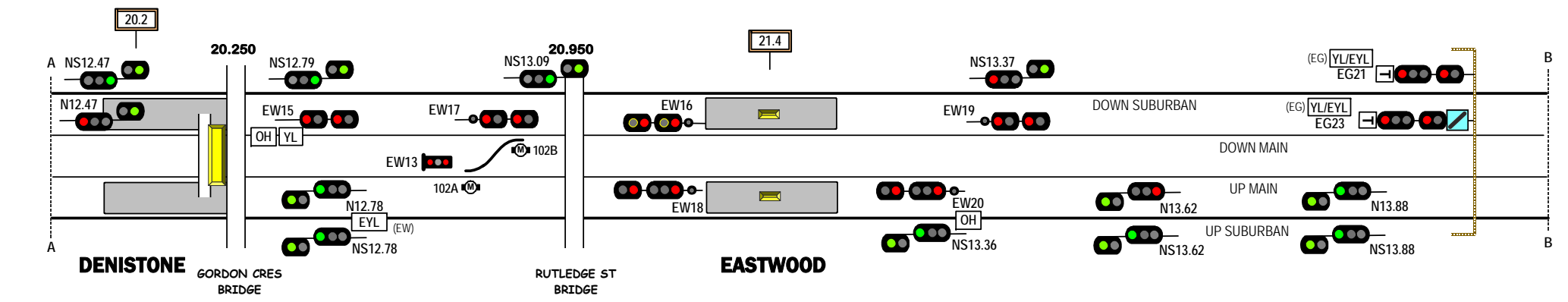
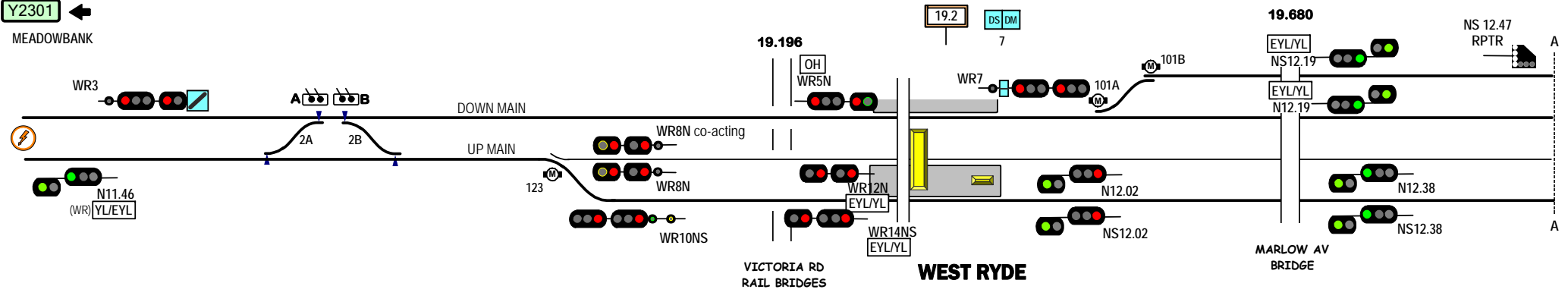


Y2301

MEADOWBANK



This drawing is provided to show Sydney Trains' Northern Sydney access (FLEMINGTON JCN- ISLINGTON JCN) to the ARTC NATIONAL FREIGHT ROUTE. Accordingly it only details the Main (Freight) tracks, and signals are only shown when they are on Main lines, or are protecting access to, or across them.

STANDARD GAUGE TRACK
WEST RYDE - EPPING