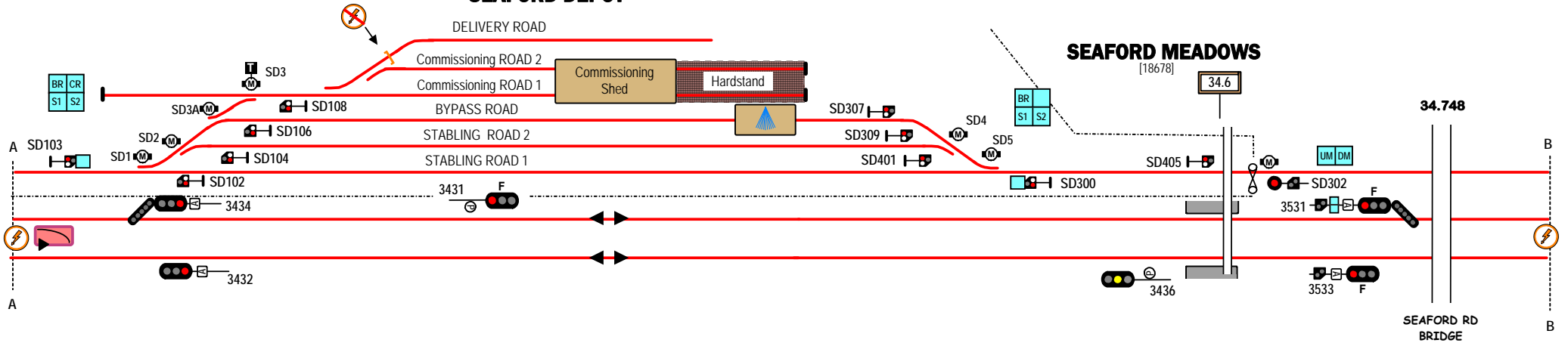
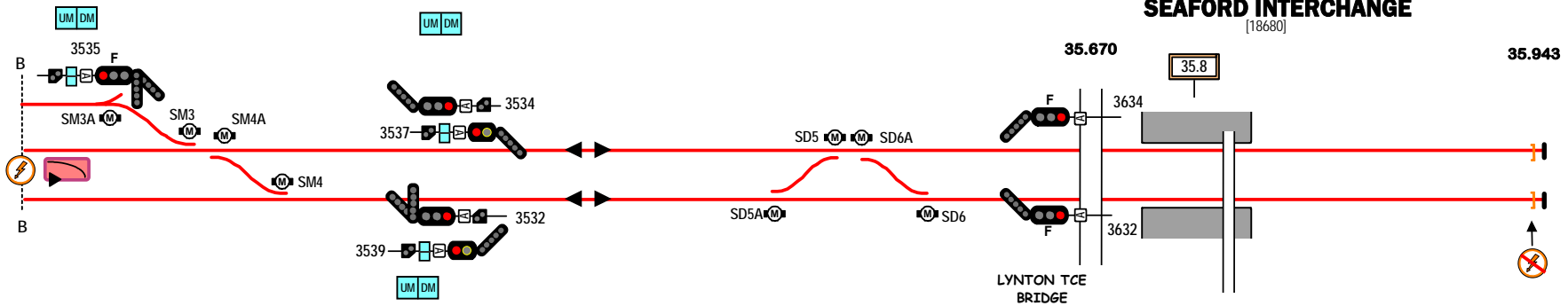


← A2015  
NOARLUNGA CENTRE

### SEAFORD DEPOT



### SEAFORD INTERCHANGE



BROAD GAUGE TRACK - ELECTRIC OVERHEAD

## NOARLUNGA CENTRE - SEAFORD INTERCHANGE

Signal Locations  
Home Support

© 2011 G F Vincent

- This route equipped for ATP
- Axle Counter detection for signalling on this line.

A2016