

N506

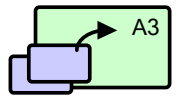
HIGH STREET

191.955

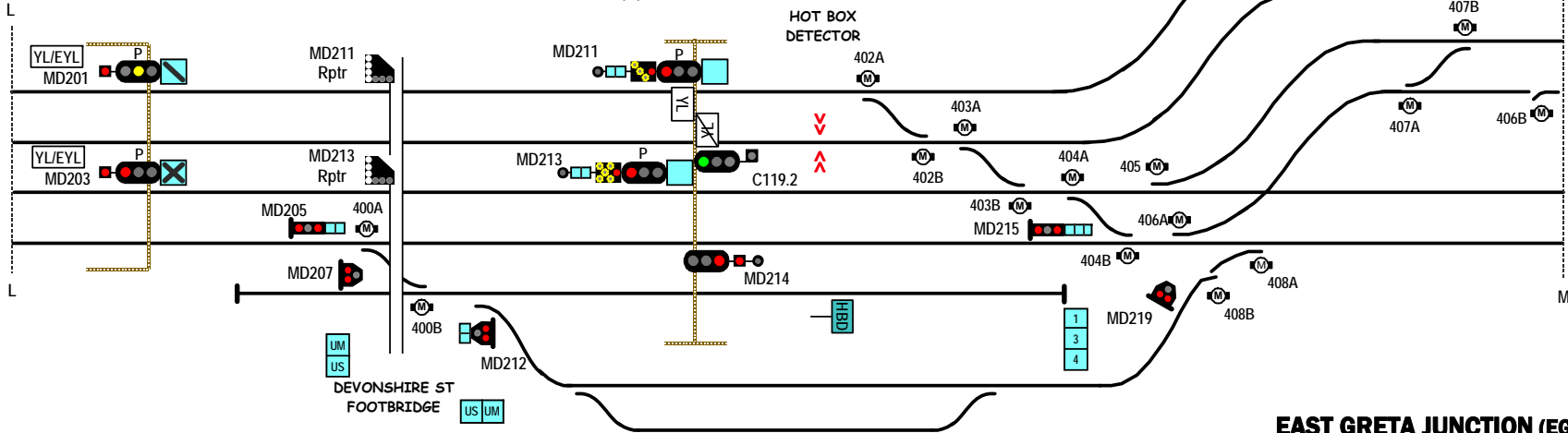
211 INDICATIONS ..
1,2,3,4 or D
213 INDICATIONS ..
1,2,3 or 4

192.036

HOT BOX
DETECTOR



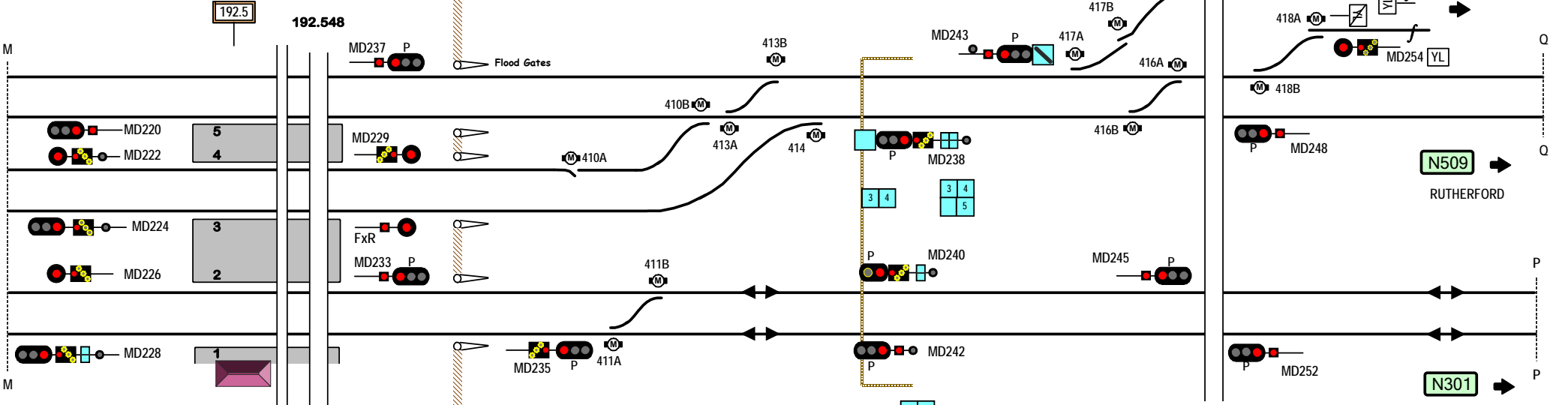
MAITLAND - TELARAH
on one page



EAST GRETA JUNCTION (EGN)

193.460

South Maitland Rly. line to
EAST GRETA



MAITLAND (MLD)

CHURCH ST
ROAD BRIDGE

NEW ENGLAND HWY
ROAD BRIDGE

N509

RUTHERFORD

N301

TELARAH

STANDARD GAUGE TRACK
MAITLAND

Signal Locations

Home Support

© 2008 G F Vincent

N507