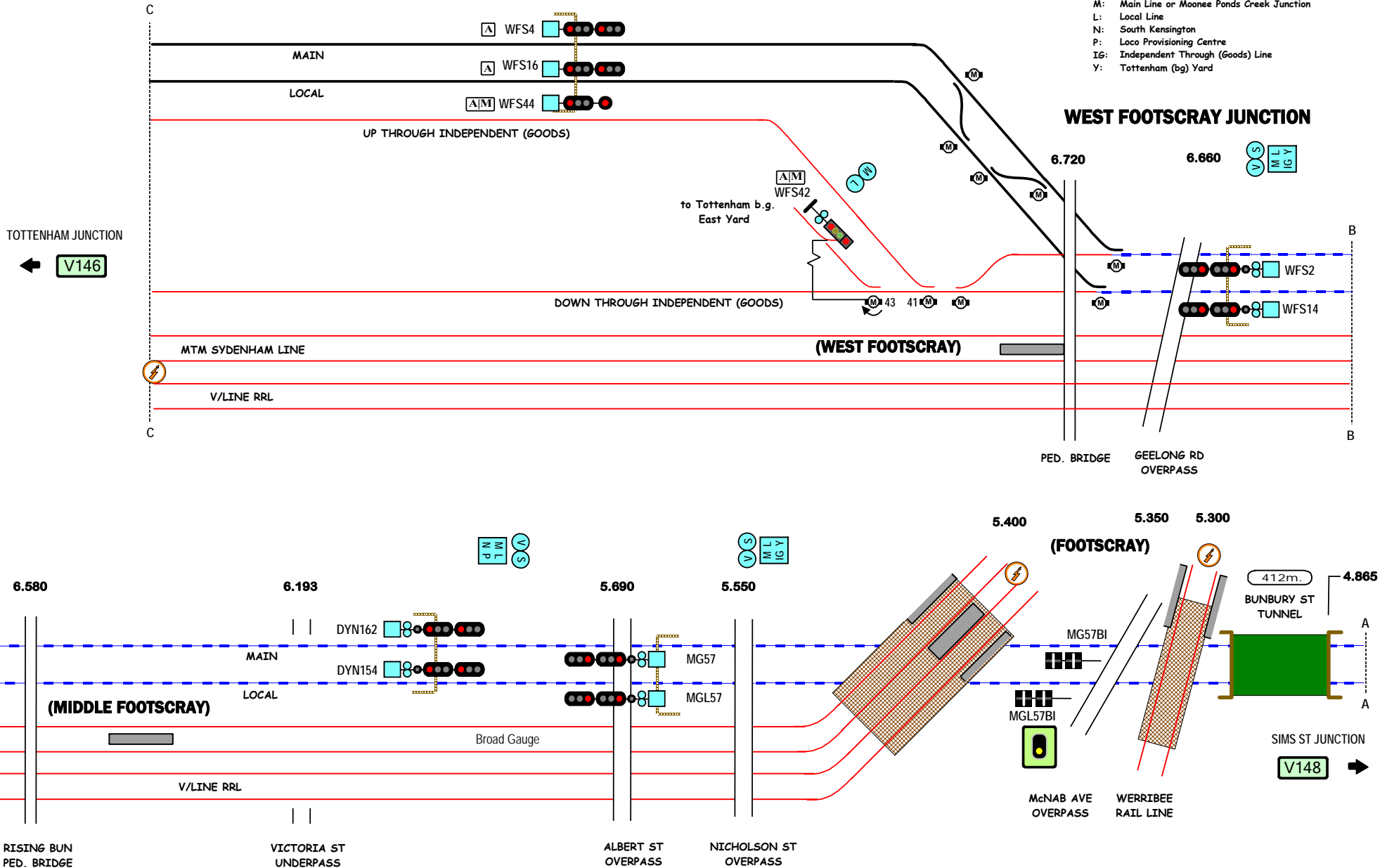


**THEATRE ROUTE INDICATORS
LETTER DEFINITIONS**

- M: Main Line or Moonee Ponds Creek Junction
- L: Local Line
- N: South Kensington
- P: Loco Provisioning Centre
- IG: Independent Through (Goods)
- Y: Tottenham (bg) Yard



STANDARD GAUGE TRACK except as shown
WEST FOOTSCRAY JUNCTION

Signal Locations

Home Support

© 2008 G F Vincent

V147