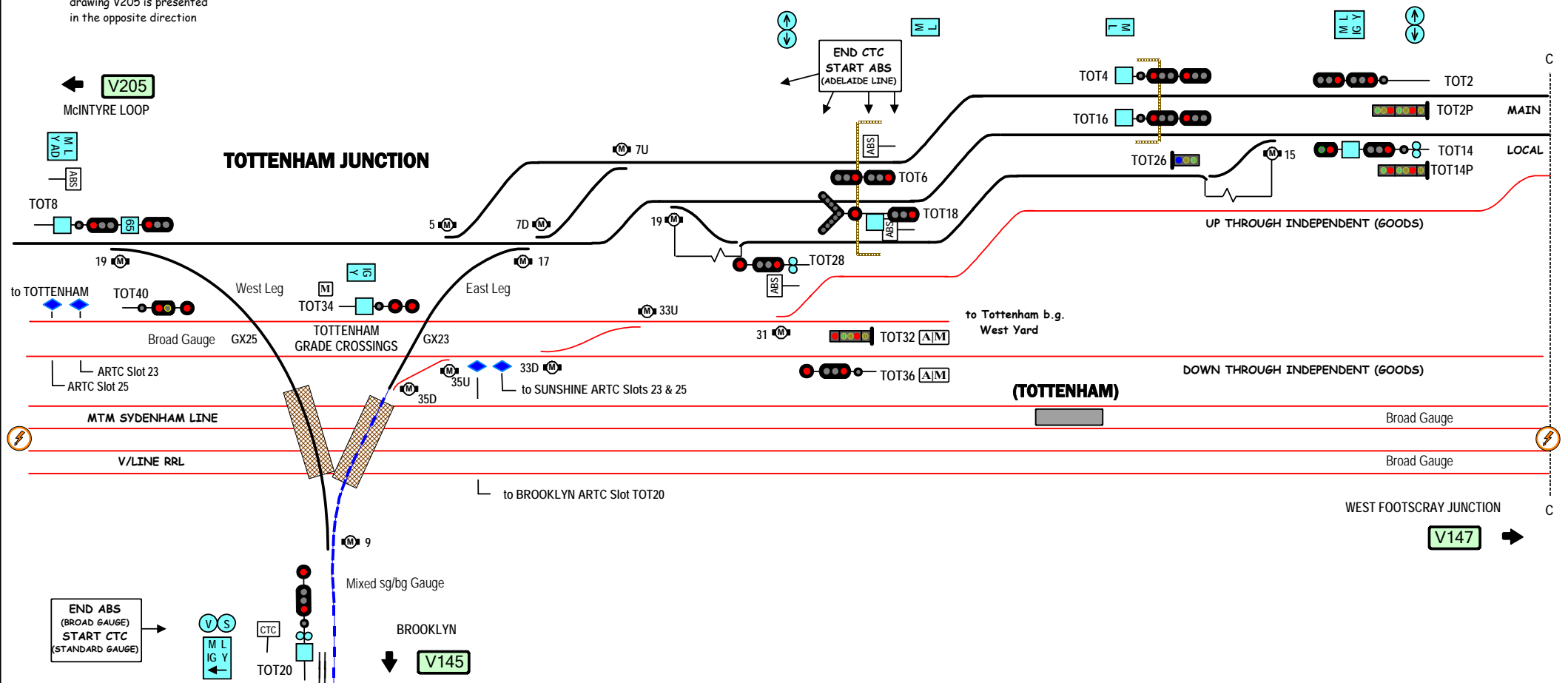


NOTE: Track continuing on drawing V205 is presented in the opposite direction



**THEATRE ROUTE INDICATORS
LETTER DEFINITIONS**

- M: Main Line or Moonee Ponds Creek Junction
- L: Local Line
- IG: Independent Through (Goods) Line
- Y: Tottenham Yard

Signal Locations
Home Support

© 2008 G F Vincent

STANDARD GAUGE TRACK except as shown
TOTTENHAM JUNCTION

V146